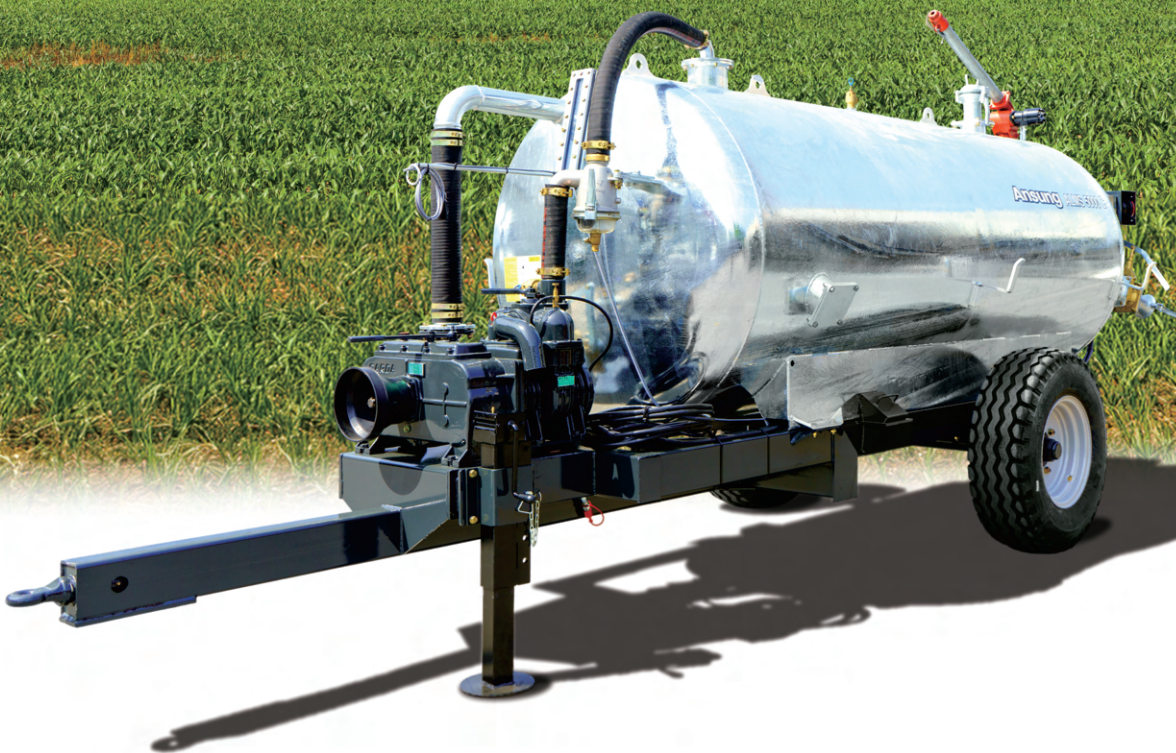




Liquid Manure Spreader

ALMS 3000~10000



**AGRO Ansung**

**AGROS**

## AGROS Liquid Manure Spreaders

AGROS liquid manure spreaders lead the way with high-performance powerful pumps, meticulous safety design, and precise, uniform spreading.



### A powerful, high-performance pump

Equipped with an ultra-strong, high-performance pump, the suction and discharge of liquid manure is quick and smooth.



### Double backflow prevention device and transparent glass window

When using liquid manure, transparent glass has been attached for easy visual inspection of the content. Additionally, devices to prevent first and second overflow, along with safety features, have been included to ensure safe operation even on slopes.



### The 360° rotating hydraulic rain gun

A high-performance high-pressure combination tank can be equipped with a rain gun and remotely controlled via a hydraulic monitor, allowing for spraying and distribution over a radius of more than 30 meters. Additionally, it features 360° rotational operation for precise and uniform distribution.



### Large-Scale Liquid Manure Spreader (Optional Item)

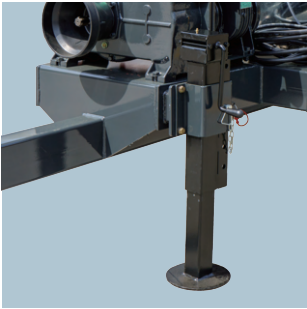
The large-scale liquid manure spreader, with a capacity of 6000L, is equipped with a suspension drive system, ensuring safe transport and efficient liquid manure application even in challenging terrain conditions.



## Vehicle-Mounted Liquid Manure Spreader

Capable of transporting large volumes of liquid manure over long distances and equipped with a powerful rain gun for long-range spraying and uniform distribution.

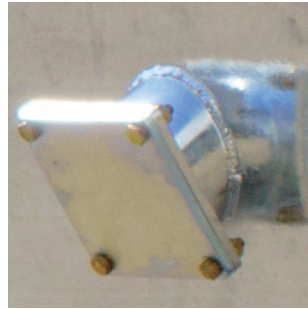
A meticulous convenience design with consideration for the operator



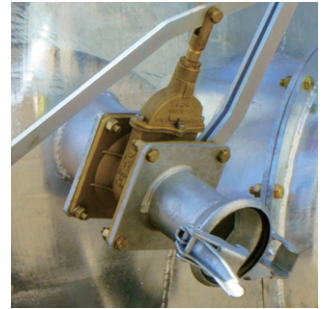
Bevel Gear Type Stand



Top Input Device



Side Suction Port



Rear Suction Port





## Specifications

Model	ALMS 3000(C)	ALMS 4000(C)	ALMS 5000(C)	ALMS 8000(C)	ALMS 10000(C)	
Overall Length(mm)	5,930	6,160	6,470	7,000	7,300	
Overall Width(mm)	1,760	2,040	2,040	2,100	2,100	
Overall Height(mm)	2,470	2,630	2,630	2,700	2,800	
Load Capacity(L)	3,000	4,000	5,000	8,000	10,000	
Pump	Volume(L/mm)	3,600	4,350	6,150	8,100	8,100
	Operating Rotation Speed (rpm)	540				
Maximum Spreading Radius(m)	Rear Spraying Method (10~12) , High-Altitude Spraying Method (30~40)					
Tire Standard	11.5/80-15.3(14PR)	12.5/80-15.3(16PR)	12.5/80-18(16PR)			
Power Required(ps)	40ps or more	50ps or more	68ps or more	100ps or more	120ps or more	

- These specifications may be changed without prior notice to improve performance and quality

## AGROS

52, Seobyeon 1-gil, Miyang-myeon,  
Anseong-si, Gyeonggi-do, Korea

Tel : 031-8057-9311

Fax : 031-8057-9313

<http://agros.co.kr>